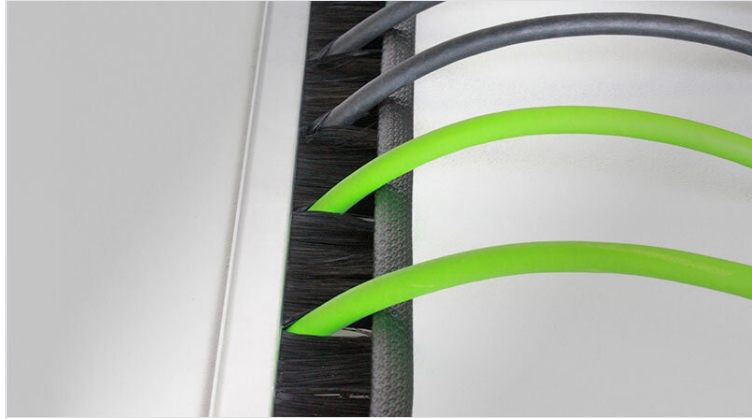


KDR-BES-U

Rittal, nVent Hoffman, ELDON, Häwa, Schneider Electric & ETA enclosures



RoHS compliant

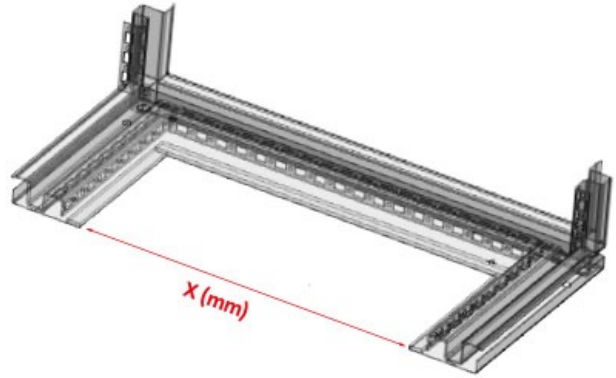
REACH COMPLIANCE

Made in Germany

이 제품은 Rittal, nVent Hoffman, ELDON, Häwa, Schneider Electric & ETA의 다양한 전자기기 케이스에 사용됩니다. 이 제품은 90도 회전 가능한 1.5-3mm 두께의 케이블을 위한 케이블 관리 채널입니다. KDR-BES-U는 다양한 케이블 두께와 길이에 맞게 설계되었습니다. 이 제품은 다양한 전자기기 케이스에 사용됩니다.

제품 사양 (mm) :

- 케이블 두께 1.5 - 2 mm, 케이블 직경 35 mm: X = 999 mm --> 부품 번호 58210.0999
- 케이블 두께 2.5 - 3 mm, 케이블 직경 35 mm: X = 999 mm --> 부품 번호 58225.0999
- 케이블 두께 1.5 - 2 mm, 케이블 직경 50 mm: X = 999 mm --> 부품 번호 58215.0999
- 케이블 두께 2.5 - 3 mm, 케이블 직경 50 mm: X = 999 mm --> 부품 번호 58230.0999



X (mm) = 케이블 길이

X max. = 1500 mm

특징

- 다양한 케이블 두께
- 90도 회전 가능한 케이블 관리 채널
- 3가지 케이블 관리 채널
- 다양한 전자기기 케이스에 사용 가능
- 최대 1,500mm 길이로 사용 가능

제품 번호	58210.0999
작동 온도	-20 C° to 90 C°
케이블 두께, 케이블 직경	1.5 - 3 mm, 35 mm / 1.5 - 3 mm, 50 mm

이 제품은 Rittal, nVent Hoffman, ELDON, Häwa, Schneider Electric & ETA의 다양한 전자기기 케이스에 사용됩니다.

KDR-BES-U-xxxx (1.5-2-35 mm)

EAN

□□□ □□

□□ □ □□

□□ □ □□

58210.xxxx

1

35 mm

1,5 mm

2 mm



KDR-BES-U-xxxx (1.5-2-50 mm)

EAN

□□□ □□

□□ □ □□

□□ □ □□

58215.xxxx

1

50 mm

1,5 mm

2 mm



KDR-BES-U-xxxx (2.5-3-35 mm)

EAN

□□□ □□

□□ □ □□

□□ □ □□

58225.xxxx

1

35 mm

2,5 mm

3 mm



KDR-BES-U-xxxx (2.5-3-50 mm)

EAN

58230.xxxx

□□□ □□

1

□□ □ □□

50 mm

□□ □ □□

2,5 mm

3 mm



KDR-BES-U-VX25-600 (35 mm)

EAN

58225.0452 □□ □□ □□

452 mm

4251269320 □□ □□

35 mm

385

1

16 mm

□□□□ □□

Rittal VX25

452 mm

□□□□ □□

600 mm



KDR-BES-U-VX25-600 (50mm)

EAN

58230.0452 □□ □□ □□

452 mm

4251269320 □□ □□

50 mm

996

1

16 mm

□□□□ □□

Rittal VX25

452 mm

□□□□ □□

600 mm



KDRS-BES-U-VX25-600 (50mm)



EAN 58030 00 00 00 452 mm
4251269328 00 00 909 50 mm
1
16 mm
Rittal VX25
488 mm
600 mm

KDR-BES-U-VX25-800 (35 mm)



EAN 58225.0652 00 00 00 652 mm
4251269320 00 00 392 35 mm
1
16 mm
Rittal VX25
652 mm
800 mm

KDRS-BES-U-VX25-800 (50mm)



EAN 58031 00 00 00 652 mm
4251269328 00 00 916 50 mm
1
16 mm
Rittal VX25
688 mm
800 mm

KDR-BES-U-VX25-800 (50mm)

EAN **58230.0652** □□ □□ □□ **652 mm**
4251269321 □□ □□ **50 mm**
016
1
16 mm
□□□□ □□ **Rittal VX25**
652 mm
□□□□ □□ **800 mm**



KDR-BES-U-VX25-1000 (35 mm)

EAN **58225.0402** □□ □□ □□ **402 mm**
4251269320 **408** □□ □□ **35 mm**
1
16 mm
□□□□ □□ **Rittal VX25**
402 mm
□□□□ □□ **1.000 mm**



KDR-BES-U-VX25-1000 (50mm)

EAN **58230.0402** □□ □□ □□ **402 mm**
4251269320 **989** □□ □□ **50 mm**
1
16 mm
□□□□ □□ **Rittal VX25**
402 mm
□□□□ □□ **1.000 mm**



KDRS-BES-U-VX25-1000 (50mm)



EAN	58032	□□ □□ □□	402 mm
	4251269328		
	923	□□□ □□	50 mm
	1		
	16 mm		
□□□□ □□	Rittal VX25		
	438 mm		
□□□□ □□	1.000 mm		

KDR-BES-U-VX25-1200 (35 mm)



EAN	58225.0502	□□ □□ □□	502 mm
	4251269320		
	415	□□□ □□	35 mm
	1		
	16 mm		
□□□□ □□	Rittal VX25		
	502 mm		
□□□□ □□	1.200 mm		

KDR-BES-U-VX25-1200 (50mm)



EAN	58230.0502	□□ □□ □□	502 mm
	4251269321		
	009	□□□ □□	50 mm
	1		
	16 mm		
□□□□ □□	Rittal VX25		
	502 mm		
□□□□ □□	1.200 mm		

KDRS-BES-U-VX25-1200 (50mm)



	58033	□□ □□ □□	502 mm
EAN	4251269328		
	930	□□□ □□	50 mm
	1		
	16 mm		
□□□□ □□	Rittal VX25		
	538 mm		
□□□□ □□	1.200 mm		

KDR-BES-U-TS8-600-0435



	58210.0435	□□□□ □□	600 mm
EAN	4251269316	□□ □□□ □□	435 mm
	524		
	1		
	16 mm		
□□□ □□	35 mm		
□□□□ □□	Rittal TS 8		
	435 mm		

KDR-BES-U-TS8-800



	58210.0635	□□□□ □□	800 mm
EAN	4251269316	□□ □□□ □□	635 mm
	548		
	1		
	16 mm		
□□□ □□	35 mm		
□□□□ □□	Rittal TS 8		
	635 mm		

KDR-BES-U-TS8-1000

EAN 58210.0397 0000 00 1.000 mm
4251269316 00 000 00 397 mm
517
1
16 mm
35 mm
Rittal TS 8
397 mm



KDR-BES-U-TS8-1000-0835

EAN 58210.0835 0000 00 1.000 mm
4251269316 00 000 00 835 mm
555
1
16 mm
35 mm
Rittal TS 8
835 mm



KDR-BES-U-TS8-1200

EAN 58210.0495 0000 00 1.200 mm
4251269316 00 000 00 495 mm
531
1
16 mm
35 mm
Rittal TS 8
495 mm



KDR-BES-U-HW-600 (392/35 mm)



EAN

58210.0392

4251269324

697

1

392 mm

600 mm

392 mm

35 mm

□□□□ □□

□□ □□□ □□

□□□ □□

KDR-BES-U-HW-600 (392/50 mm)



EAN

58215.0392

4251269324

734

1

392 mm

600 mm

392 mm

50 mm

□□□□ □□

□□ □□□ □□

□□□ □□

KDR-BES-U-HW-600 (592/35 mm)



EAN

58210.0592

4251269324

703

1

592 mm

600 mm

592 mm

35 mm

□□□□ □□

□□ □□□ □□

□□□ □□

KDR-BES-U-HW-600 (592/50 mm)

EAN

58215.0592

4251269324

741

1

592 mm

600 mm

592 mm

50 mm

□□□□ □□

□□ □□□ □□

□□□ □□



KDR-BES-U-HW-600 (792/35 mm)

EAN

58210.0792

4251269324

710

1

792 mm

600 mm

792 mm

35 mm

□□□□ □□

□□ □□□ □□

□□□ □□



KDR-BES-U-HW-600 (792/50 mm)

EAN

58215.0792

4251269324

758

1

792 mm

600 mm

792 mm

50 mm

□□□□ □□

□□ □□□ □□

□□□ □□



KDR-BES-U-HW-600 (992/35 mm)



EAN

58210.0992

4251269324

727

1

992 mm

600 mm

992 mm

35 mm

□□□□ □□

□□ □□□ □□

□□□ □□

KDR-BES-U-HW-600 (992/50 mm)



EAN

58215.0992

4251269324

765

1

992 mm

600 mm

992 mm

50 mm

□□□□ □□

□□ □□□ □□

□□□ □□

KDR-BES-U-SSP-600 (35 mm)



EAN

58210.0414

□□ □□□ □□

414 mm

4251269324

□□□ □□

35 mm

611

1

16 mm

Schneider

Electric

Spacial SF

414 mm

600 mm

□□□□□ □□

□□□□ □□

KDR-BES-U-SSP-600 (50 mm)



EAN 58215.0414 00 000 00 414 mm
4251269324 000 00 50 mm
659
1
16 mm
Schneider
Electric
Spacial SF
414 mm
600 mm

00000 00

0000 00

KDR-BES-U-SSP-800 (35 mm)



EAN 58210.0614 00 000 00 614 mm
4251269324 000 00 35 mm
628
1
16 mm
Schneider
Electric
Spacial SF
614 mm
800 mm

00000 00

0000 00

KDR-BES-U-SSP-800 (50 mm)



EAN 58215.0614 00 000 00 614 mm
4251269324 000 00 50 mm
666
1
16 mm
Schneider
Electric
Spacial SF
614 mm
800 mm

00000 00

0000 00

KDR-BES-U-SSP-1000 (35 mm)



EAN 58210.0814 00 000 00 814 mm
4251269324 000 00 35 mm
635
1
16 mm
Schneider
Electric
Spacial SF
814 mm
1.000 mm

00000 00

0000 00

KDR-BES-U-SSP-1000 (50 mm)



EAN 58215.0814 00 000 00 814 mm
4251269324 000 00 50 mm
673
1
16 mm
Schneider
Electric
Spacial SF
814 mm
1.000 mm

00000 00

0000 00

KDR-BES-U-SSP-1200 (35 mm)



EAN 58210.0477 00 000 00 477 mm
4251269324 000 00 35 mm
642
1
16 mm
Schneider
Electric
Spacial SF
477 mm
1.200 mm

00000 00

0000 00

KDR-BES-U-SSP-1200 (50 mm)



EAN 58215.0477 00 000 00 477 mm
4251269324 000 00 50 mm
680
1
16 mm
Schneider
Electric
Spacial SF
477 mm
1.200 mm

KDR-BES-U-ELDON-600 (35 mm)



EAN 58221.0435 00 000 00 435 mm
4251269325 000 00 35 mm
229
1
16 mm
nVent Eldon
MCD/MCS/M
KD/MKS
435 mm
600 mm

KDR-BES-U-ELDON-600 (50 mm)



EAN 58222.0435 00 000 00 435 mm
4251269325 000 00 50 mm
267
1
16 mm
nVent Eldon
MCD/MCS/M
KD/MKS
435 mm
600 mm

KDR-BES-U-ELDON-800+1600 (35 mm)



EAN 58221.0635 00 000 00 635 mm
4251269325 000 00 35 mm
236
1
16 mm
nVent Eldon
MCD/MCS/M
KD/MKS
635 mm
800 mm

KDR-BES-U-ELDON-800+1600 (50 mm)



EAN 58222.0635 00 000 00 635 mm
4251269325 000 00 50 mm
274
1
16 mm
nVent Eldon
MCD/MCS/M
KD/MKS
635 mm
800 mm

KDR-BES-U-ELDON-1000 (35 mm)



EAN 58221.0835 00 000 00 835 mm
4251269325 000 00 35 mm
243
1
16 mm
nVent Eldon
MCD/MCS/M
KD/MKS
835 mm
1.000 mm

KDR-BES-U-ELDON-1000 (50 mm)



EAN 58222.0835 00 000 00 835 mm
4251269325 000 00 50 mm
281
1
16 mm
nVent Eldon
MCD/MCS/M
KD/MKS
835 mm
1.000 mm

00000 00

0000 00

KDR-BES-U-ELDON-1200 (35 mm)



EAN 58221.0495 00 000 00 495 mm
4251269325 000 00 35 mm
250
1
16 mm
nVent Eldon
MCD/MCS/M
KD/MKS
495 mm
1.200 mm

00000 00

0000 00

KDR-BES-U-ELDON-1200 (50 mm)



EAN 58222.0495 00 000 00 495 mm
4251269325 000 00 50 mm
298
1
16 mm
nVent Eldon
MCD/MCS/M
KD/MKS
495 mm
1.200 mm

00000 00

0000 00

KDR-BES-U-ETA-ENUX-600 (35 mm)

EAN **58221.0363** □□ □□ □□ **363 mm**
4251269325 □□ □□ **35 mm**
304
1
16 mm
□□□□ □□ **ETA E NUX**
363 mm
□□□□ □□ **600 mm**



KDR-BES-U-ETA-ENUX-600 (50 mm)

EAN **58222.0363** □□ □□ □□ **363 mm**
4251269325 □□ □□ **50 mm**
342
1
16 mm
□□□□ □□ **ETA E NUX**
363 mm
□□□□ □□ **600 mm**



KDR-BES-U-ETA-ENUX-800 (35 mm)

EAN **58221.0563** □□ □□ □□ **563 mm**
4251269325 □□ □□ **35 mm**
311
1
16 mm
□□□□ □□ **ETA E NUX**
563 mm
□□□□ □□ **800 mm**



KDR-BES-U-ETA-ENUX-800 (50 mm)

EAN **58222.0563** □□ □□ □□ **563 mm**
4251269325 □□ □□ **50 mm**
359
1
16 mm
□□□□ □□ **ETA E NUX**
563 mm
□□□□ □□ **800 mm**



KDR-BES-U-ETA-ENUX-1000 (35 mm)

EAN **58221.0345** □□ □□ □□ **345 mm**
4251269325 □□ □□ **35 mm**
328
1
16 mm
□□□□ □□ **ETA E NUX**
345 mm
□□□□ □□ **1.000 mm**



KDR-BES-U-ETA-ENUX-1000 (50 mm)

EAN **58222.0345** □□ □□ □□ **345 mm**
4251269325 □□ □□ **50 mm**
366
1
16 mm
□□□□ □□ **ETA E NUX**
345 mm
□□□□ □□ **1.000 mm**



KDR-BES-U-ETA-ENUX-1200 (35 mm)

EAN 58221.0445 00 000 00 445 mm
4251269325 000 00 35 mm
335
1
16 mm
00000 00 ETA E NUX
0000 00 445 mm
1.200 mm



KDR-BES-U-ETA-ENUX-1200 (50 mm)

EAN 58222.0445 00 000 00 445 mm
4251269325 000 00 50 mm
373
1
16 mm
00000 00 ETA E NUX
0000 00 445 mm
1.200 mm



KDR-BES-U-HG2-600

EAN 58210.0362 00 000 00 362 mm
4251269318
207
1
35 mm
000 00 nVent
00000 00 Hoffman
PROLINE G2
362 mm
0000 00 600 mm



KDR-BES-U-HG2-800



EAN 58210.0562 00 000 00 562 mm
4251269318
214
1
35 mm
nVent
Hoffman
PROLINE G2
562 mm
800 mm

KDR-BES-U-HG2-1000



EAN 58210.0762 00 000 00 762 mm
4251269318
221
1
35 mm
nVent
Hoffman
PROLINE G2
762 mm
1.000 mm

Edge protection trim



EAN 99152
4251269318
238
1
100.000 mm
0 x 1 - 2 mm

